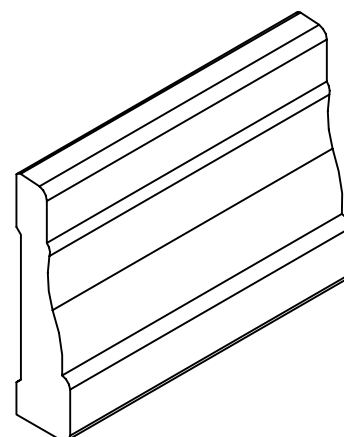
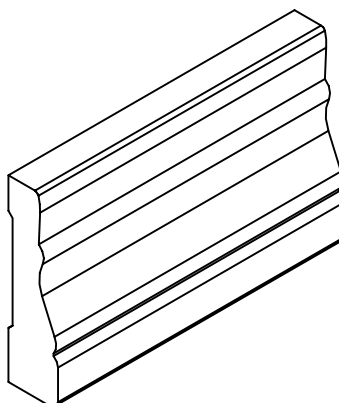
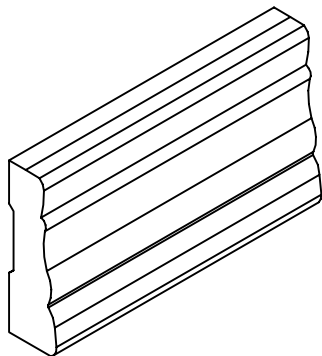
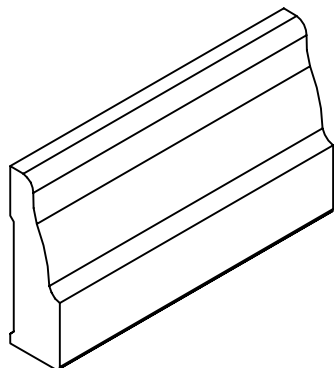
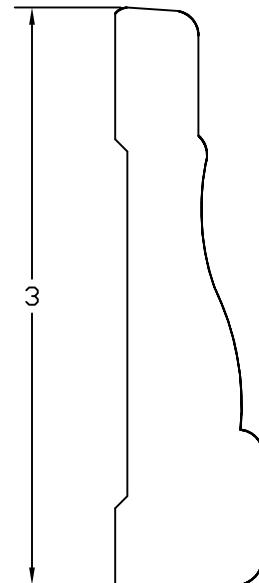
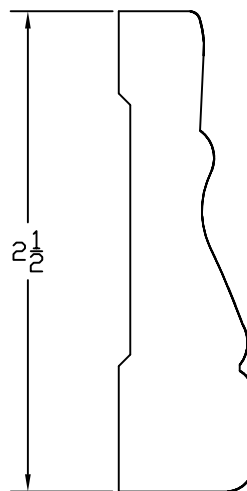
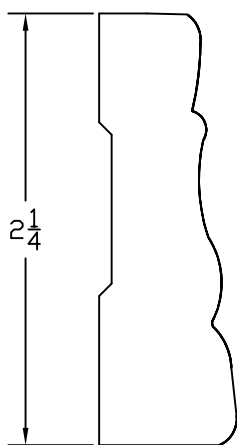
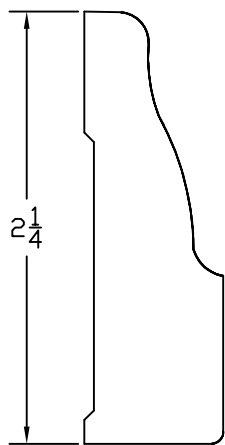


B/C 1
-Variable Width
-Variable Thickness

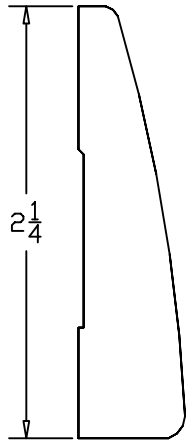
B/C 2
-Variable Thickness

B/C 3
-Variable Thickness

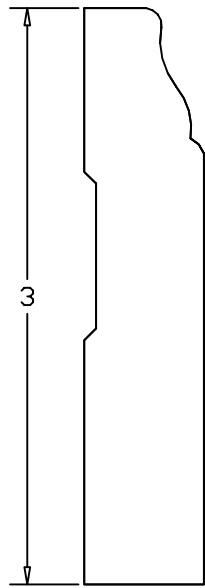
B/C 4
-Variable Thickness



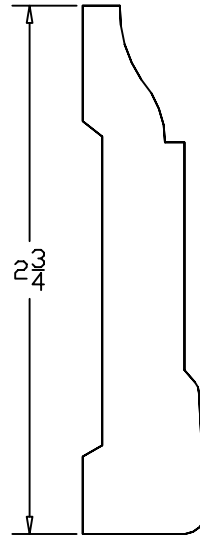
B/C 5
-Variable Thickness



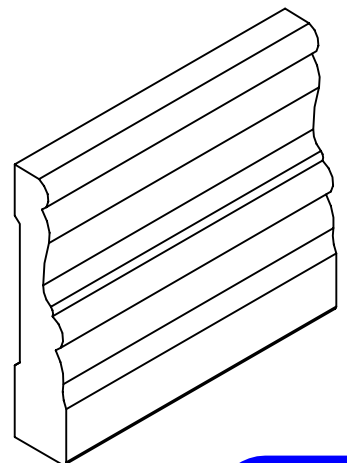
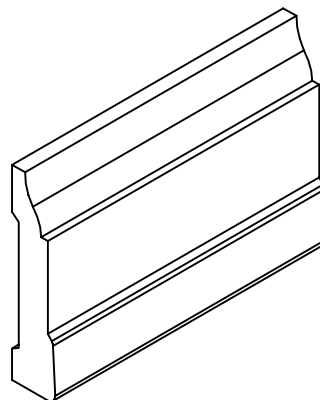
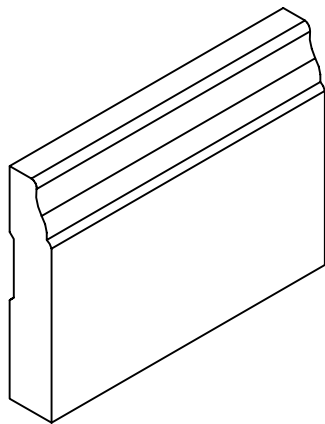
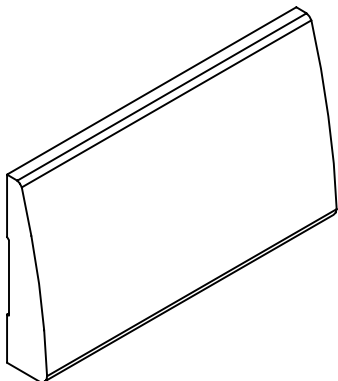
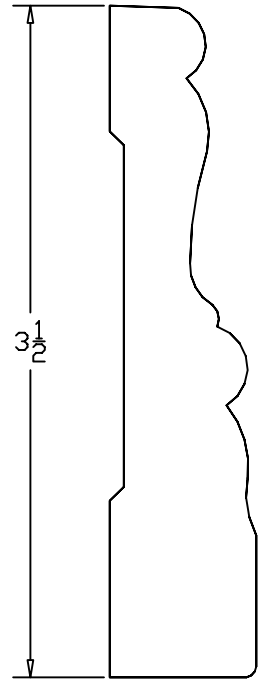
B/C 6
-Variable Width
-Variable Thickness



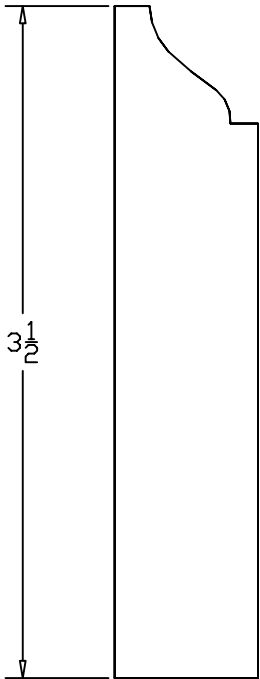
B/C 7
-Variable Width
-Variable Thickness



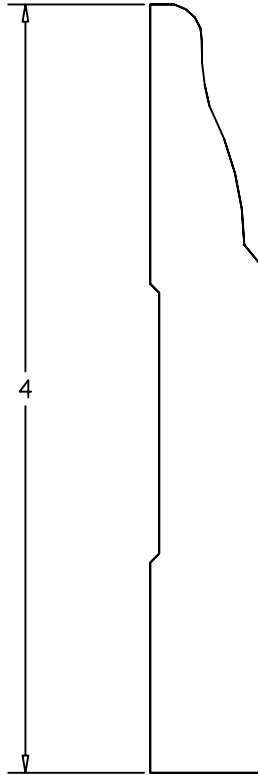
B/C 8
-Variable Width
-Variable Thickness



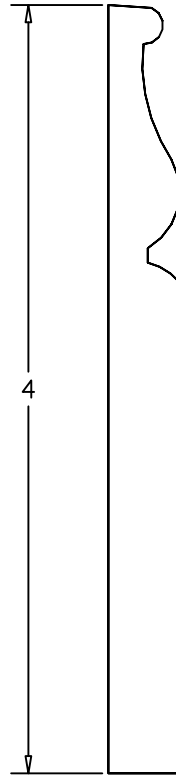
B/C 9
-Variable Width
-Variable Thickness



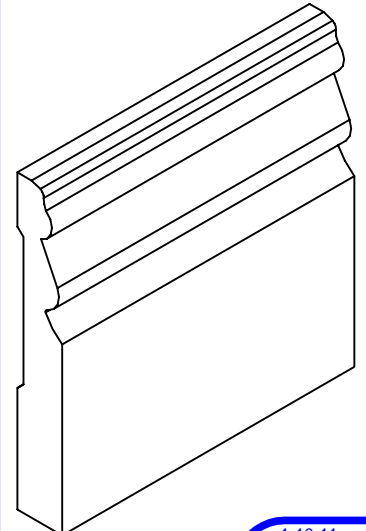
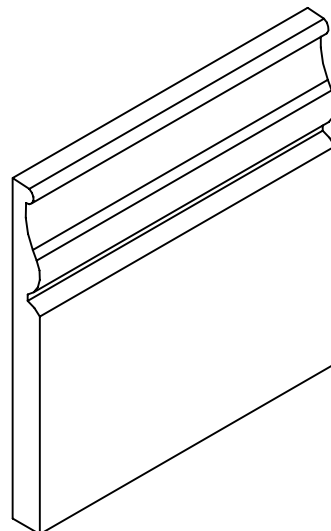
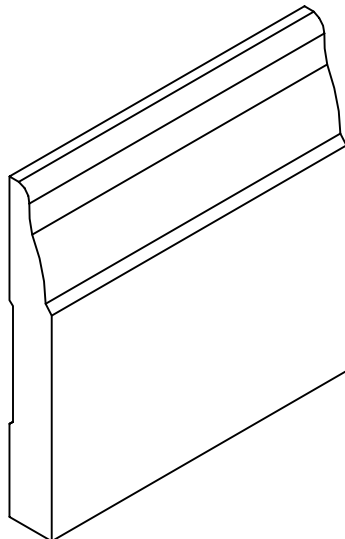
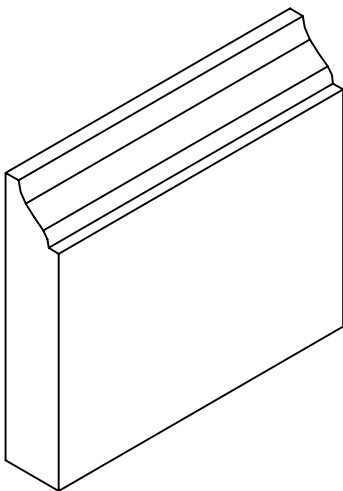
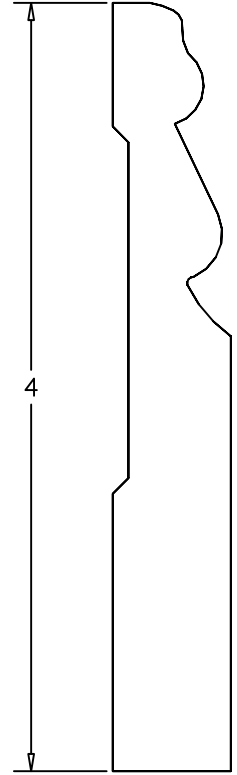
B/C 10
-Variable Width
-Variable Thickness



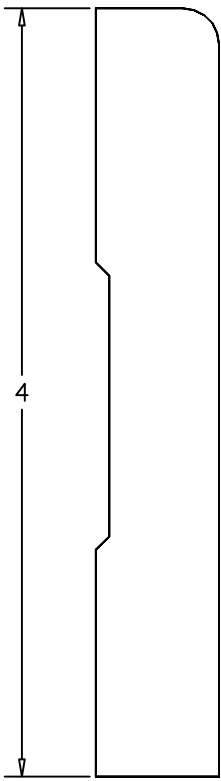
B/C 11
-Variable Width
-Variable Thickness



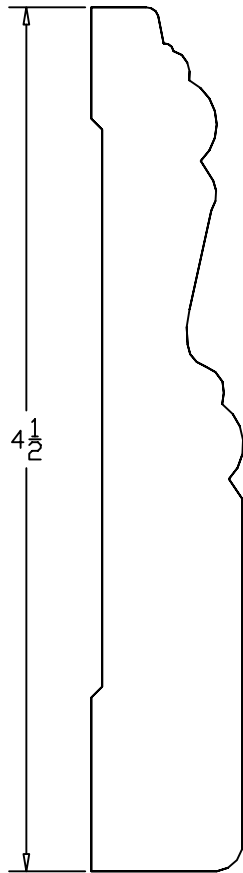
B/C 12
-Variable Width
-Variable Thickness



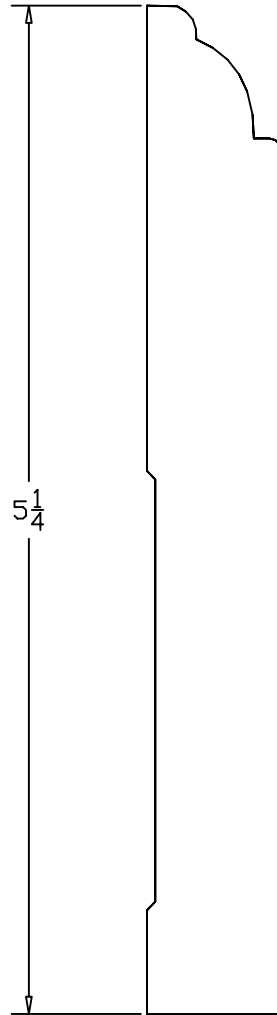
B/C 13
-Variable Width
-Variable Thickness



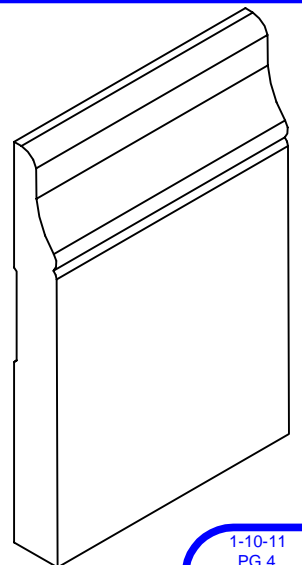
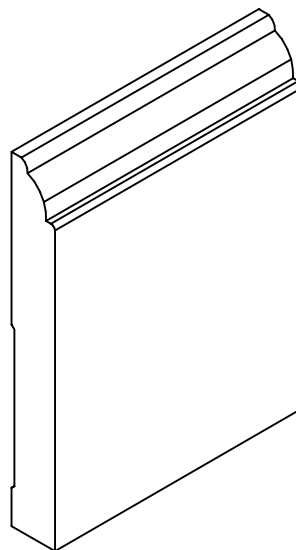
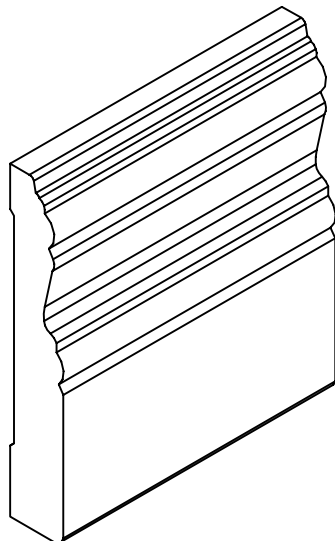
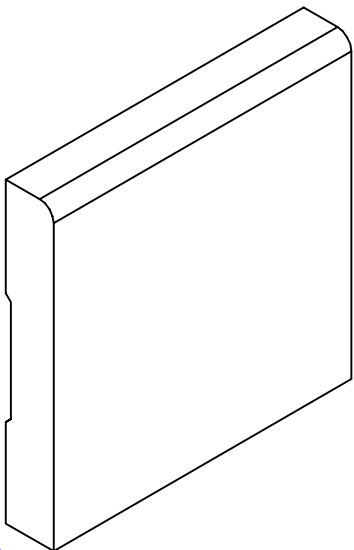
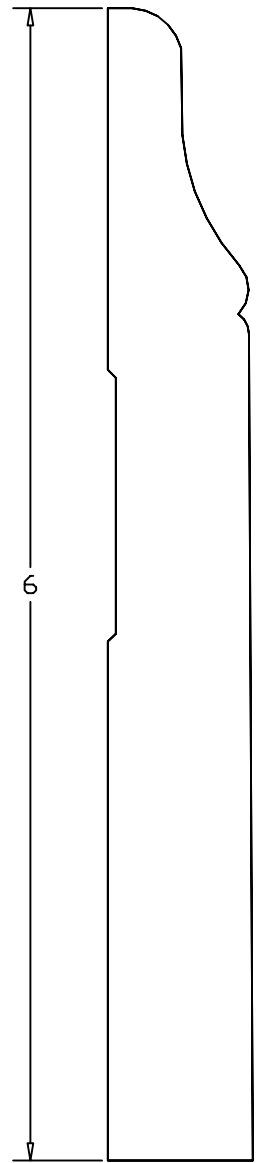
B/C 14
-Variable Width
-Variable Thickness



B/C 15
-Variable Width
-Variable Thickness



B/C 16
-Variable Width
-Variable Thickness

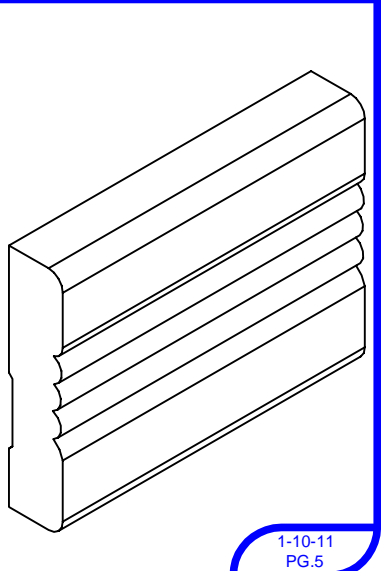
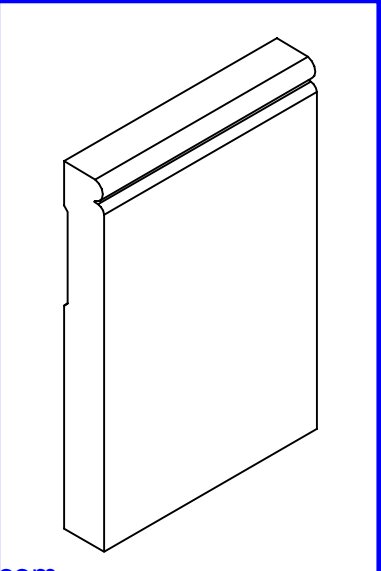
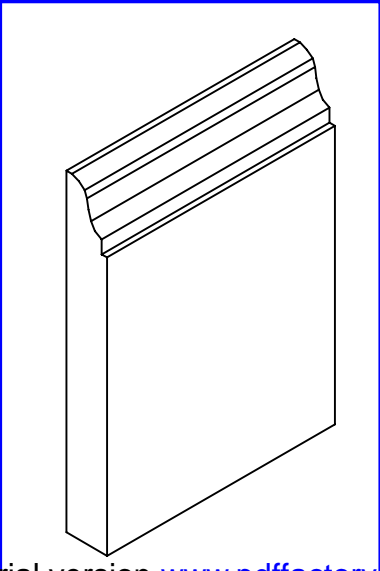
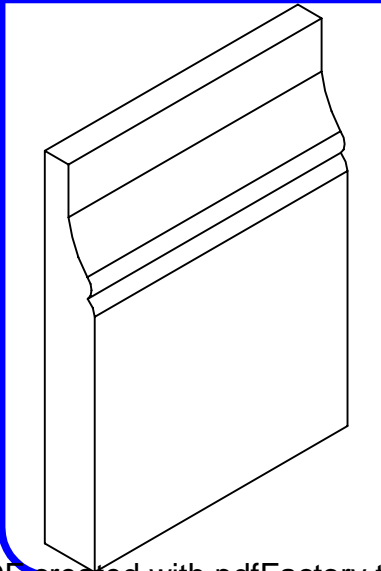
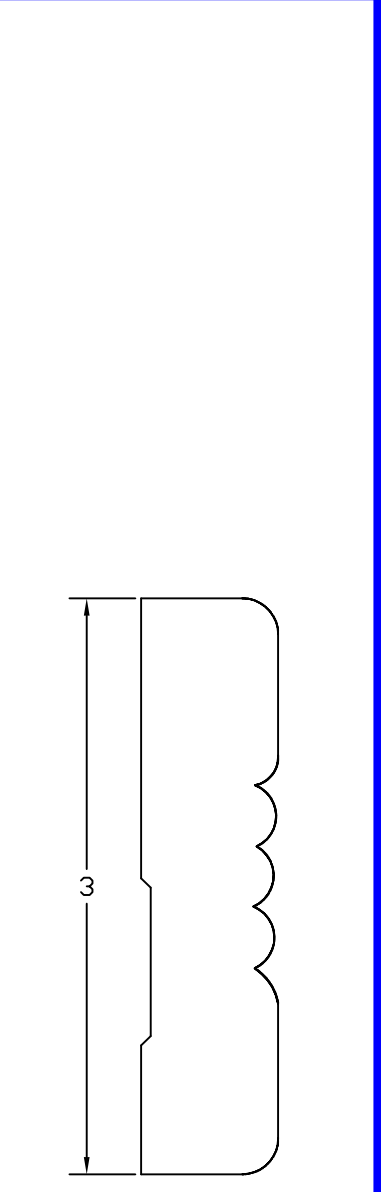
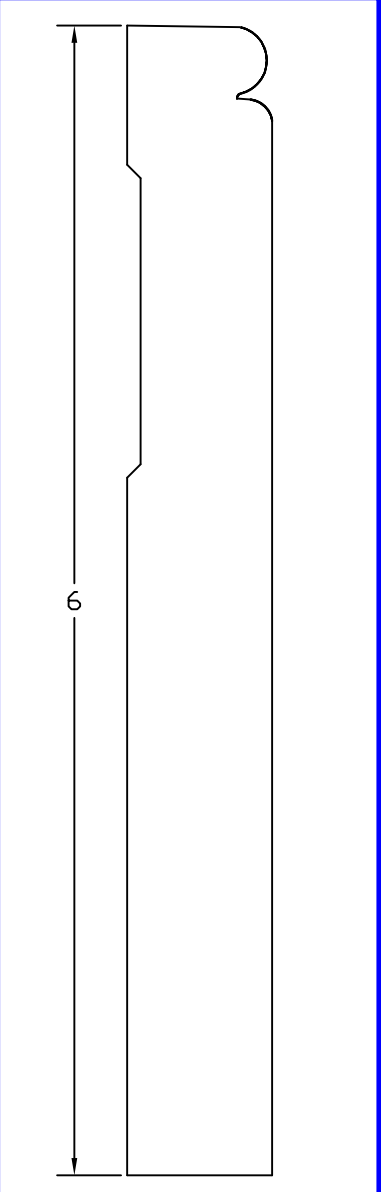
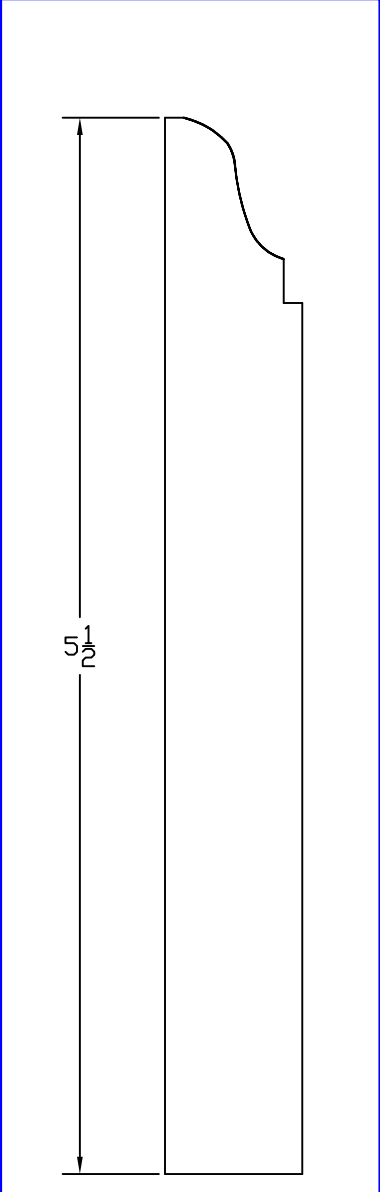
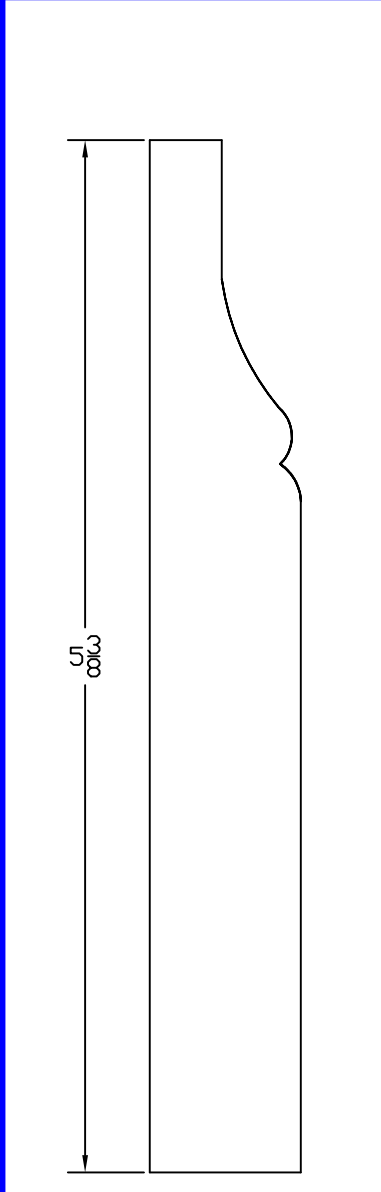


B/C 16-AP
 -Variable Width
 -Variable Thickness
 -Used With Applied Mouldings

B/C 17
 -Variable Width
 -Variable Thickness

B/C 18
 -Variable Width
 -Variable Thickness

B/C 19
 -Variable Width
 -Variable Thickness
 -Bead Size and Spacing is fixed

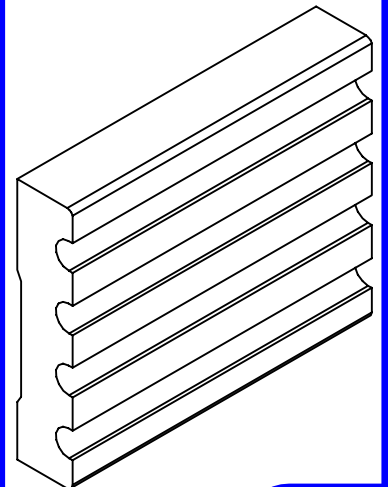
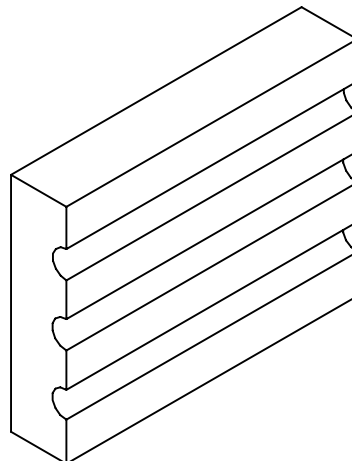
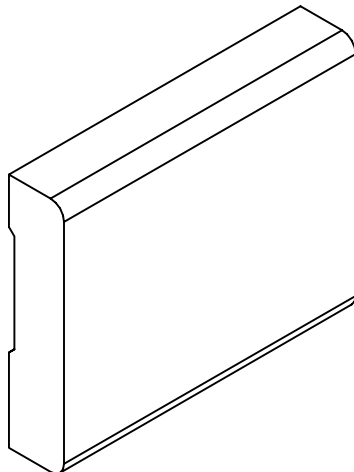
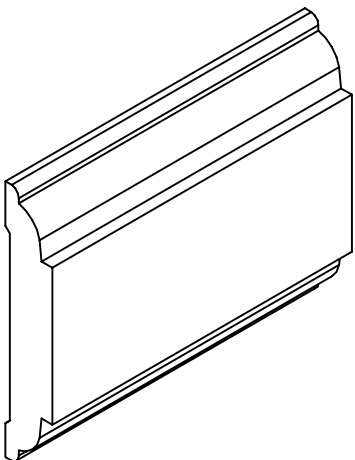
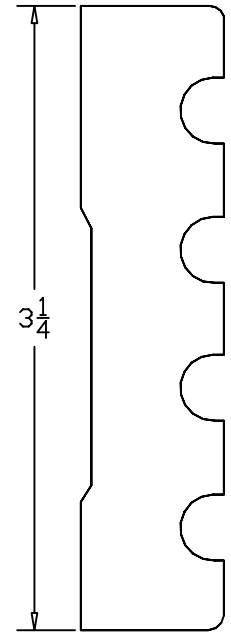
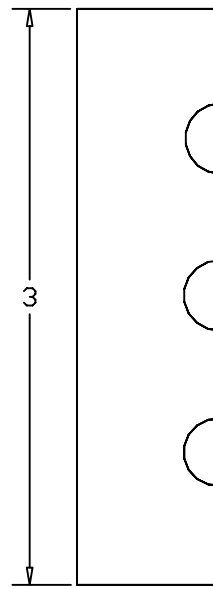
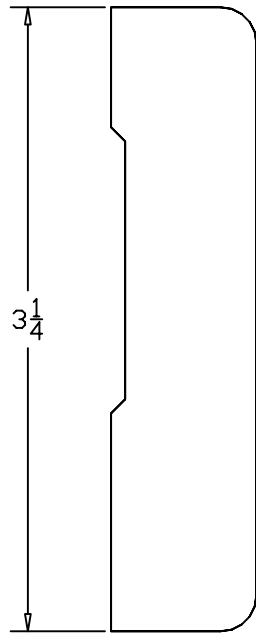
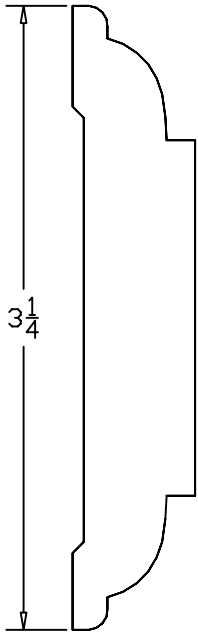


B/C 20
-Variable Width
-Variable Thickness

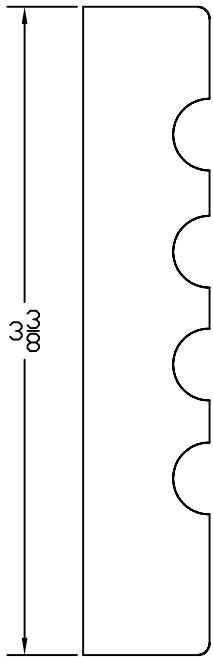
B/C 21
-Variable Width
-Variable Thickness

B/C 22
-Variable Width
-Variable Thickness
-Flute Size and Spacing
is fixed

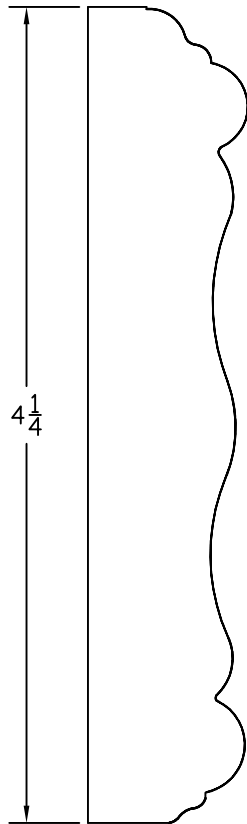
B/C 23
-Variable Width
-Variable Thickness
-Flute Size and Spacing
is fixed



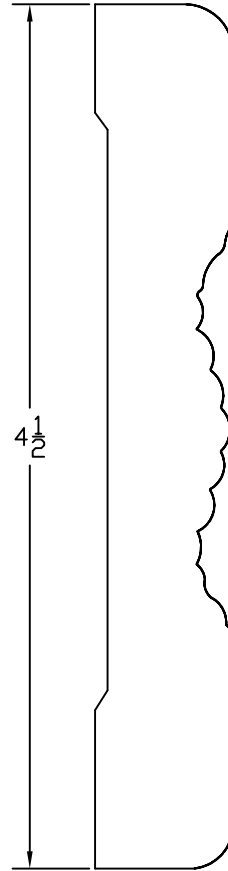
B/C 24
-Variable Width
-Variable Thickness
-Flute Size and Spacing
is fixed



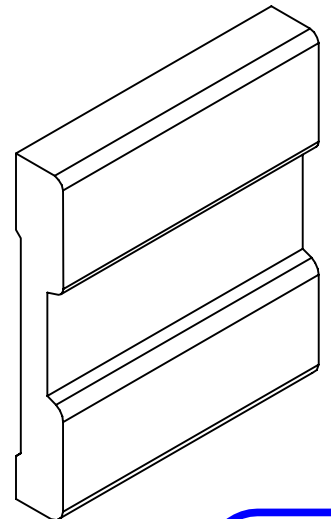
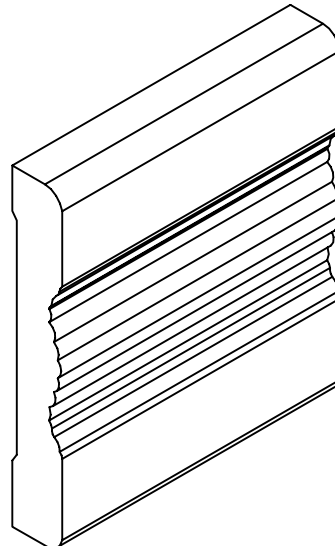
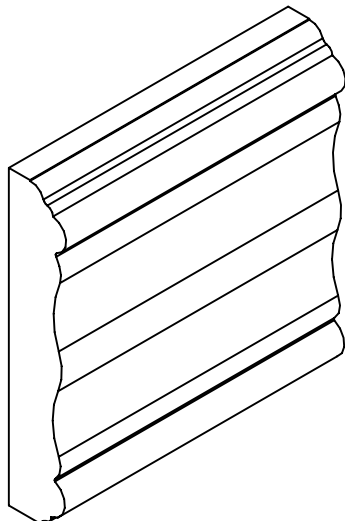
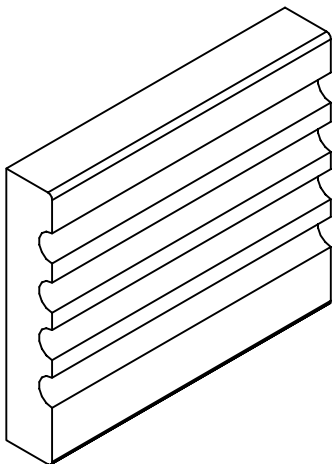
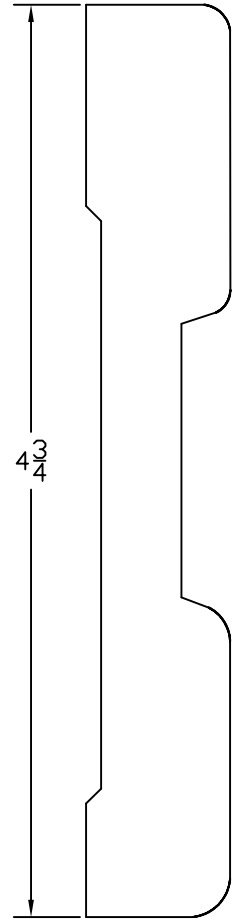
B/C 25
-Variable Width



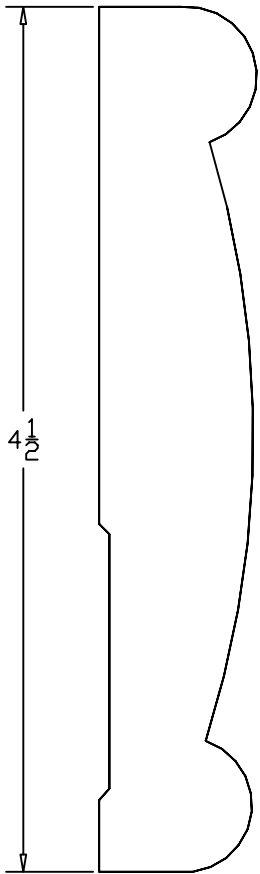
B/C 26
-Variable Width
-Variable Thickness



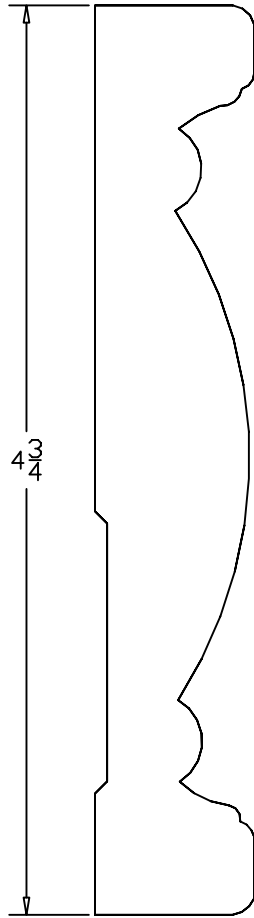
B/C 27
-Variable Width
-Variable Thickness



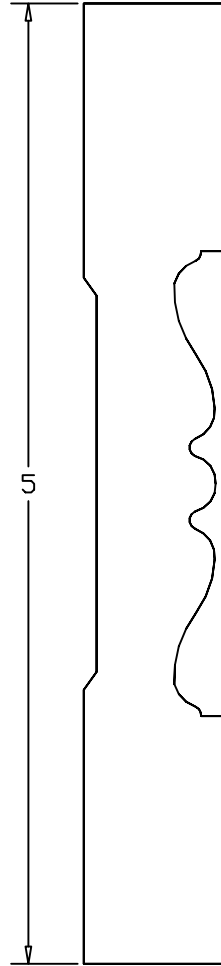
B/C 28
-Variable Thickness



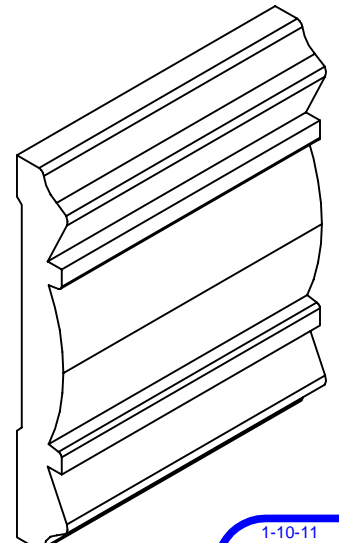
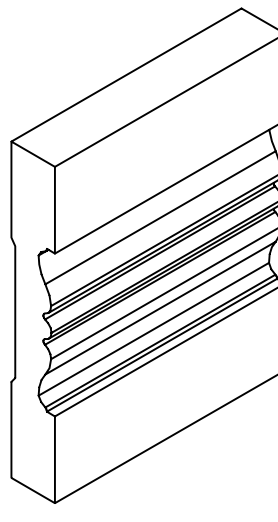
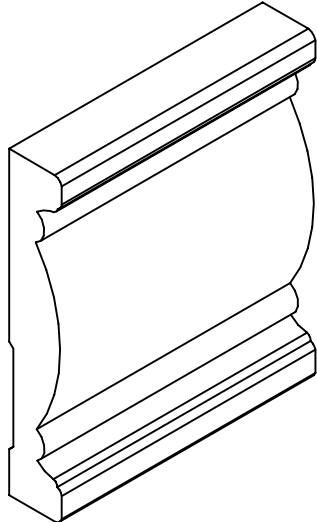
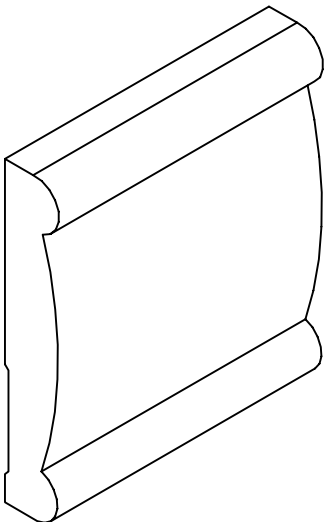
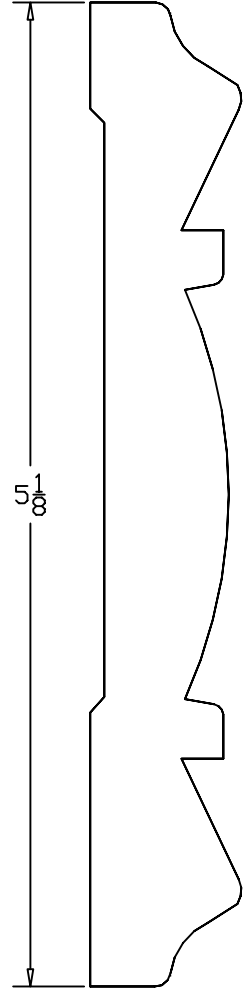
B/C 29
-Variable Thickness



B/C 30
-Variable Width
-Variable Thickness

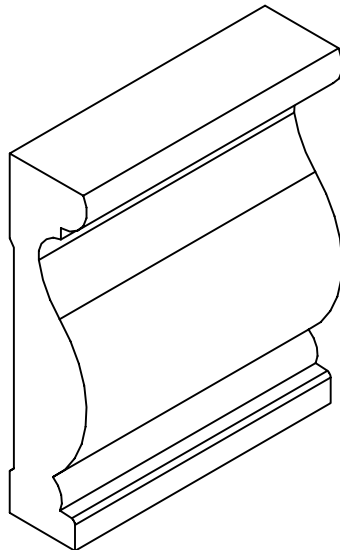
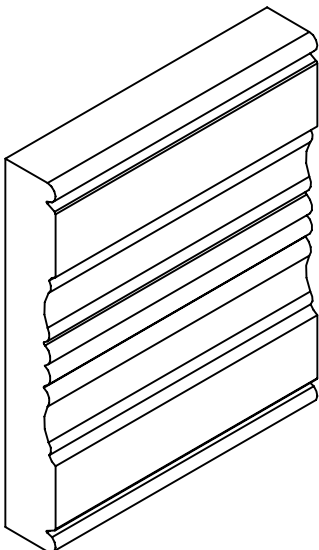
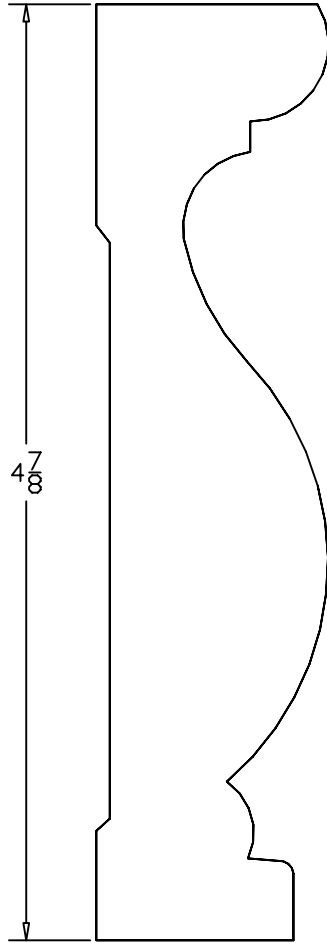
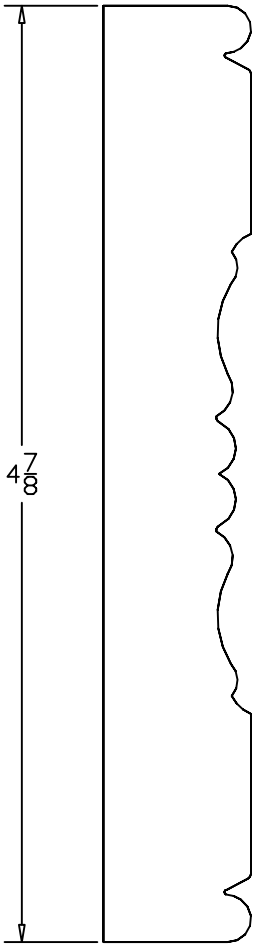


B/C 31
-Variable Thickness

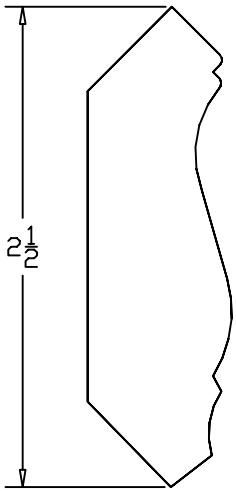


B/C 32
-Variable Thickness

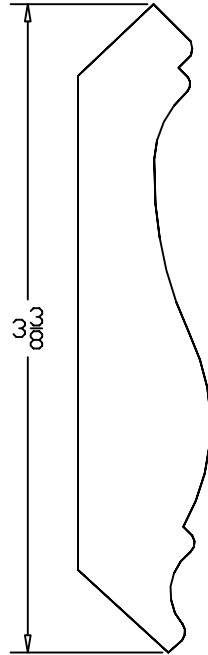
B/C 33
-Variable Thickness



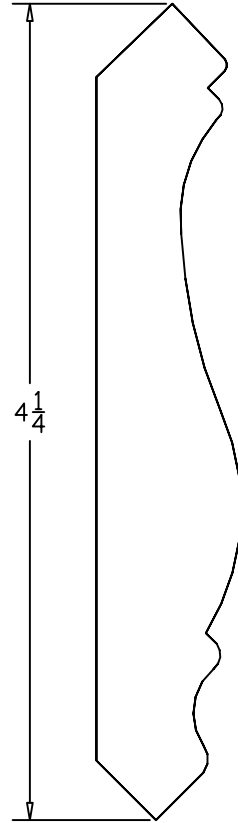
C 1



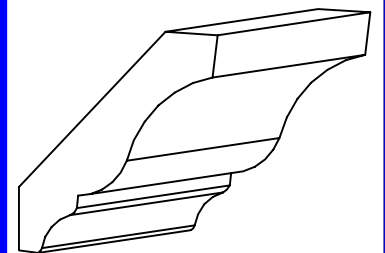
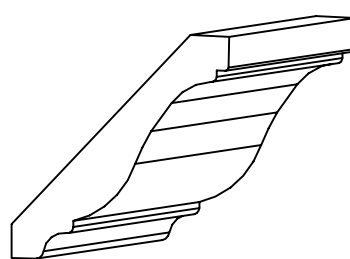
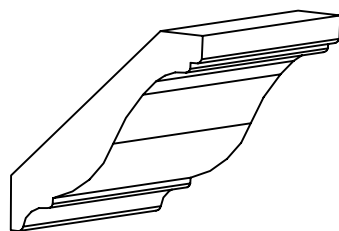
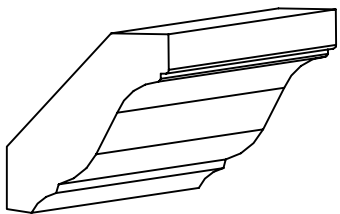
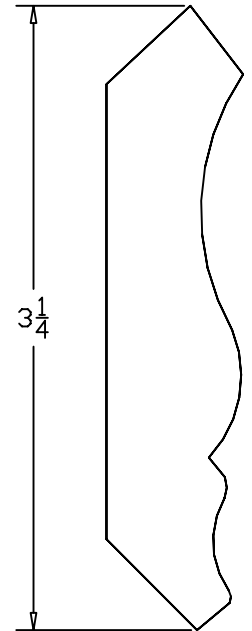
C 2



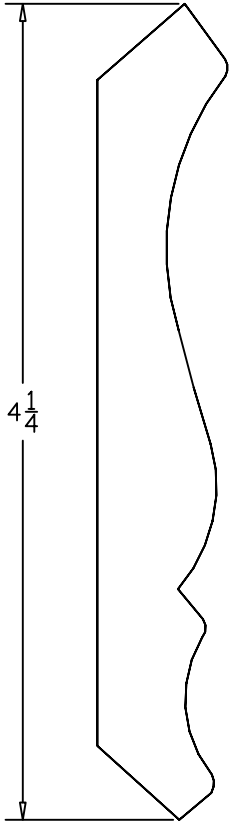
C 3



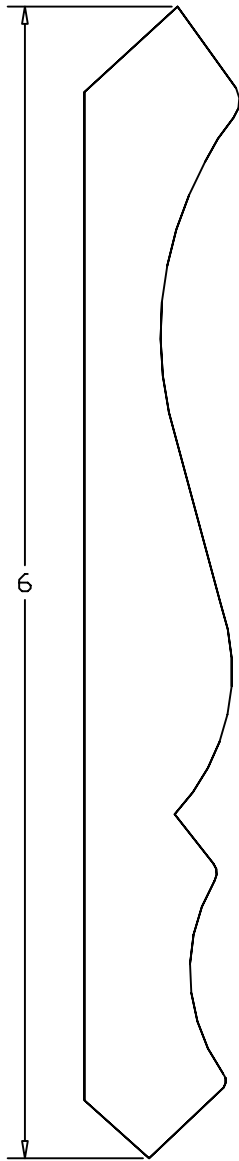
C 4



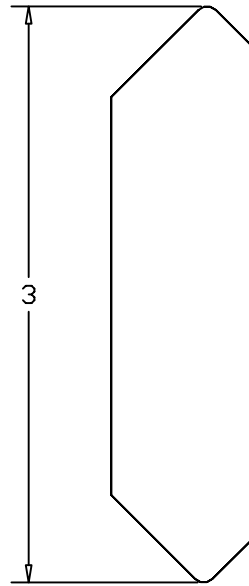
C 5



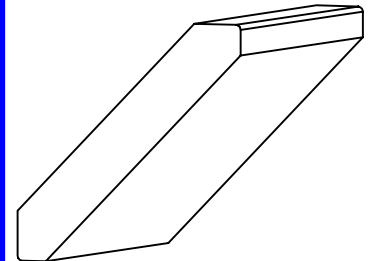
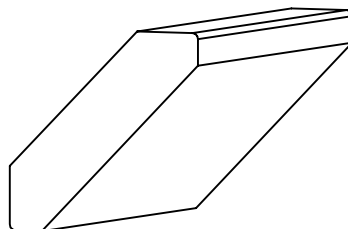
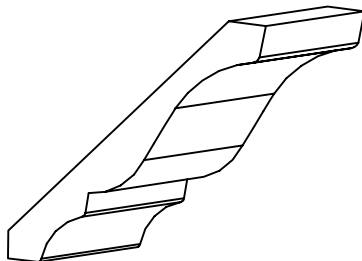
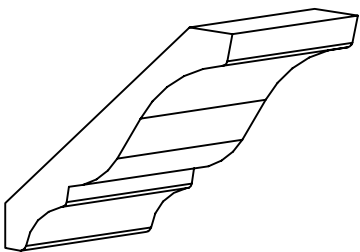
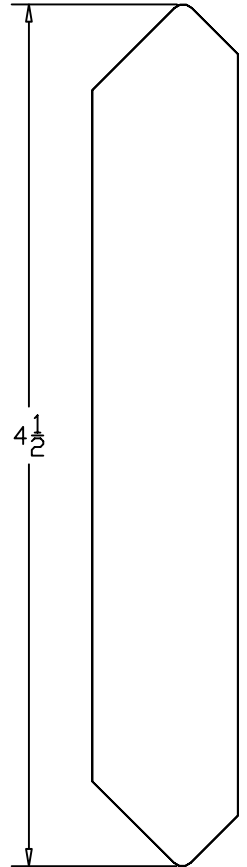
C 6



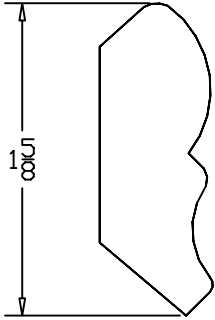
C 7
-Variable Width



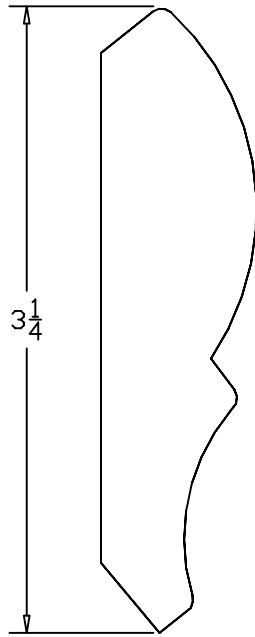
C 8
-Variable Width



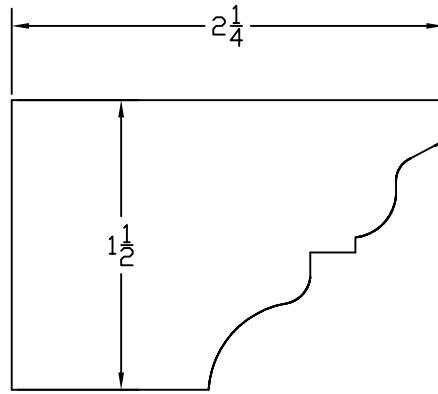
C 9



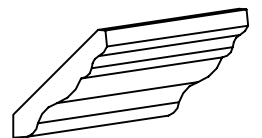
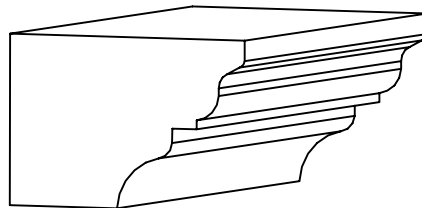
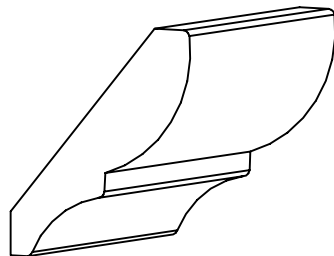
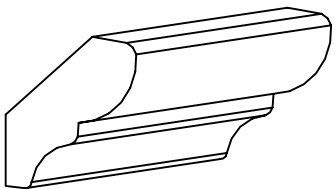
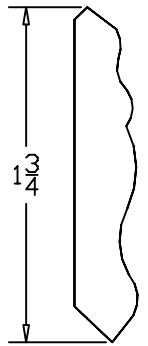
C 10



C 11



C 12

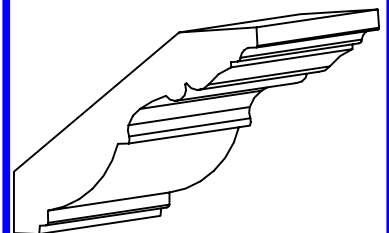
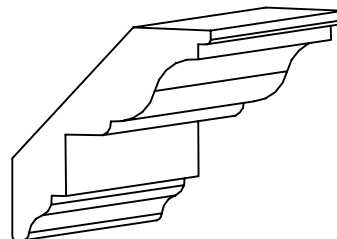
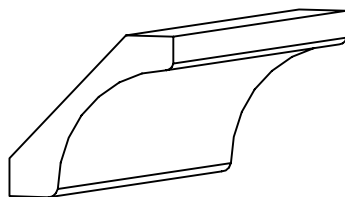
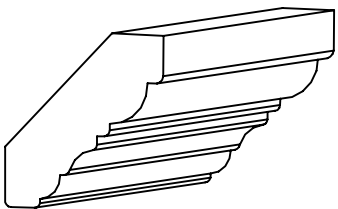
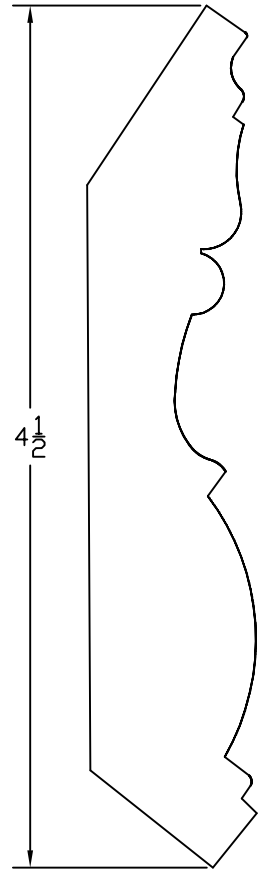
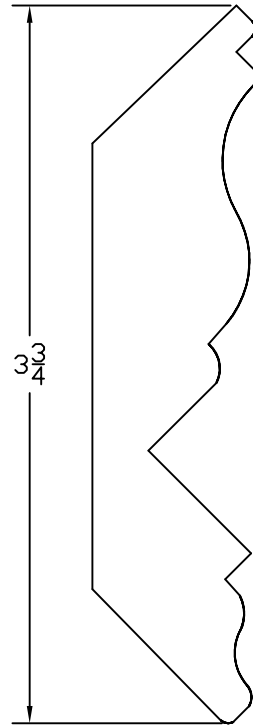
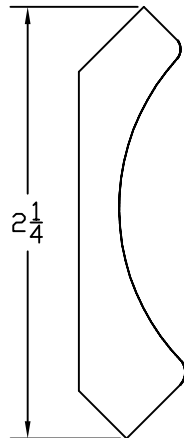
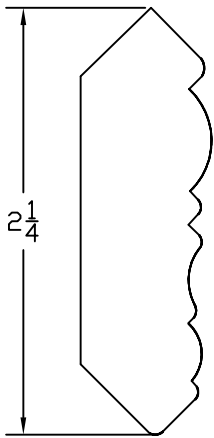


C 13

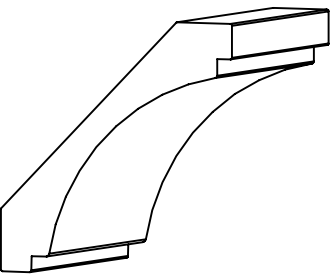
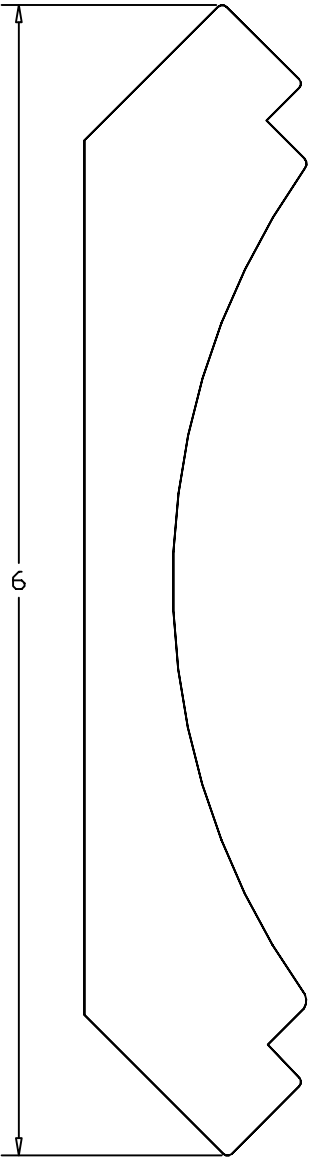
C 14

C 15
-Accepts Rope or Dentil
Moulding

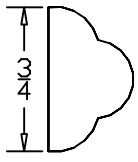
C 16



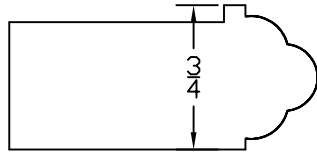
C 17



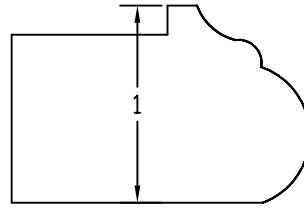
A 1



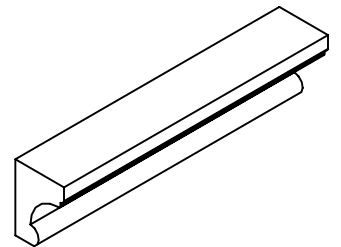
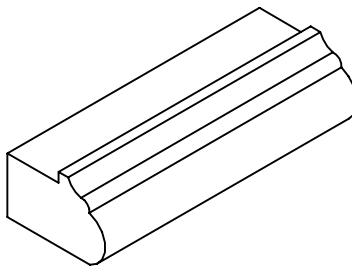
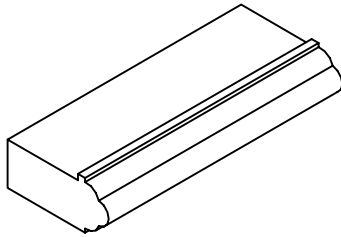
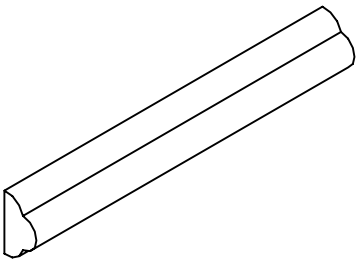
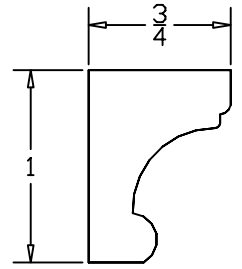
A 2



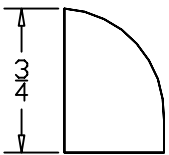
A 3



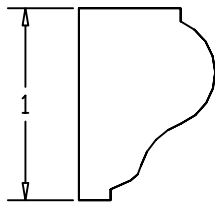
A 4



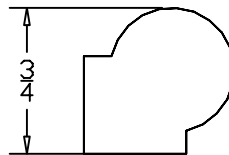
A 5



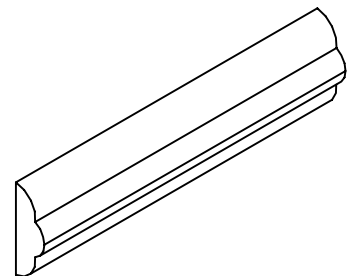
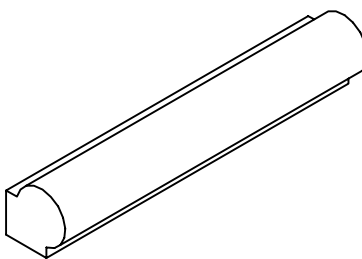
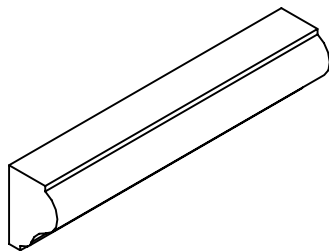
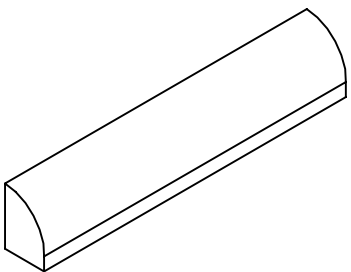
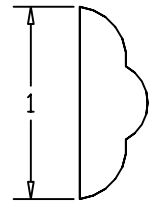
A 6



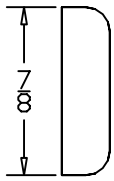
A 7



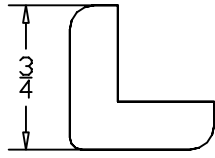
A 8



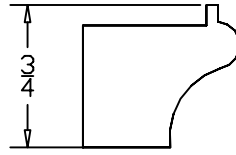
A 9



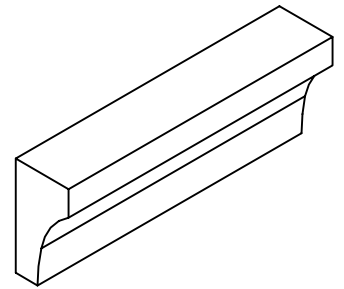
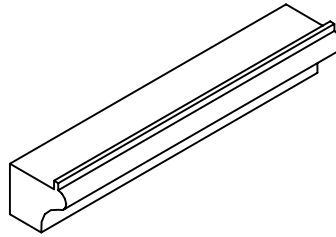
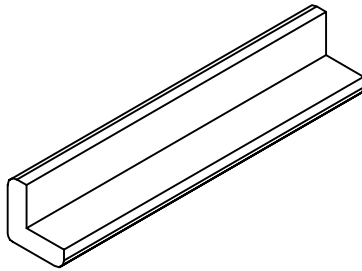
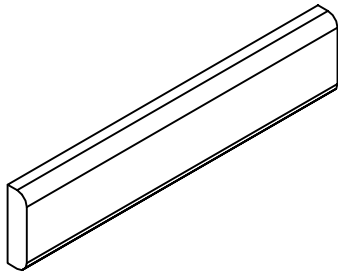
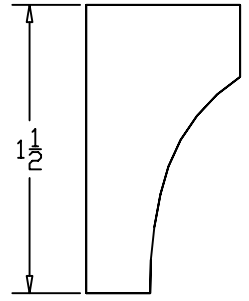
A 10
-Any Size Possible



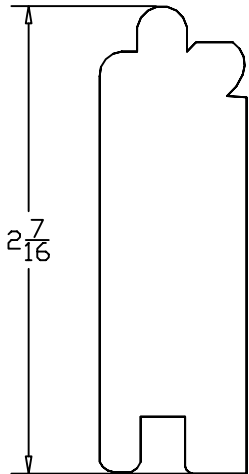
A 11



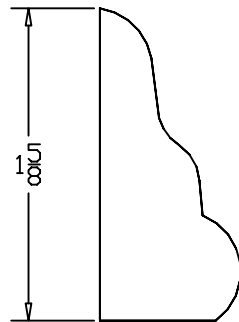
A 12
-Var. Thickness / Width



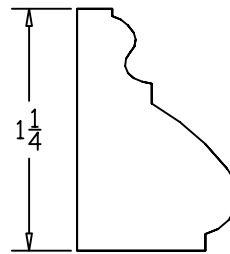
A 13
-Variable Width



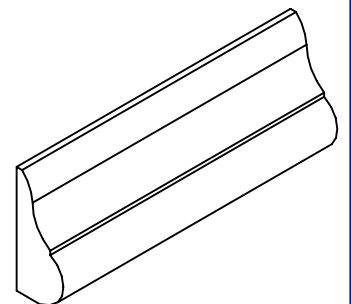
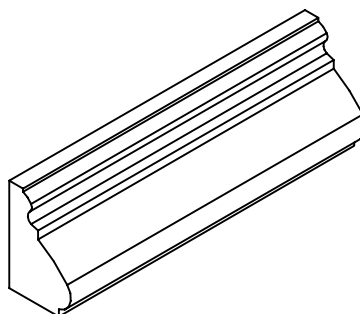
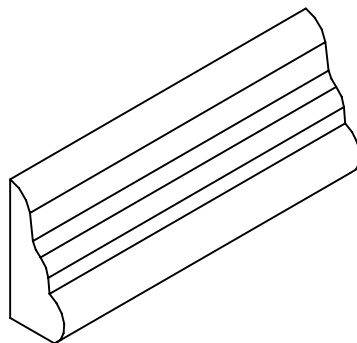
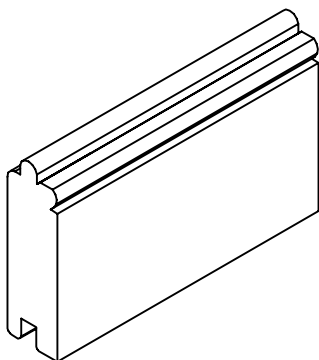
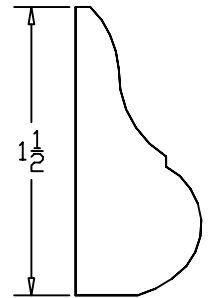
A 14



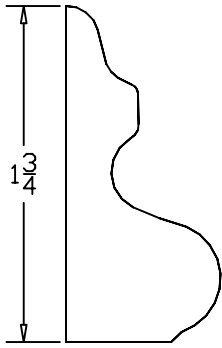
A 15



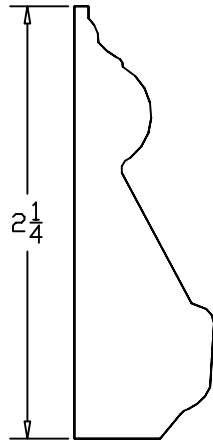
A 16



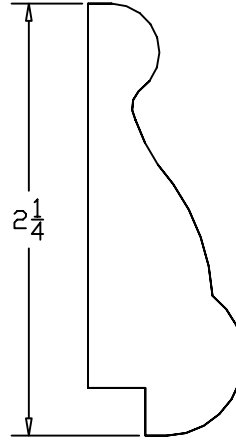
A 17



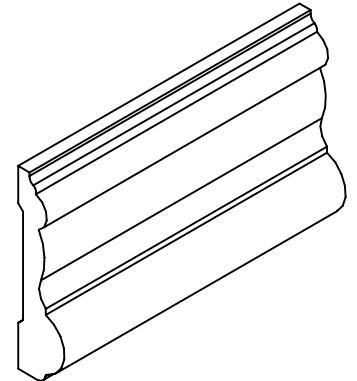
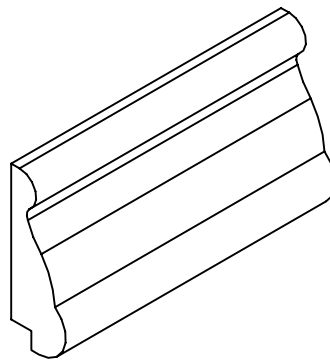
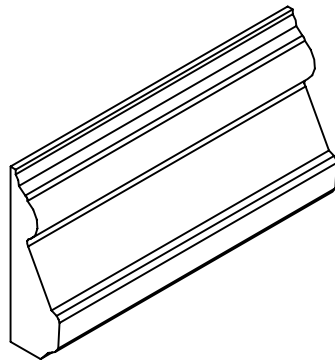
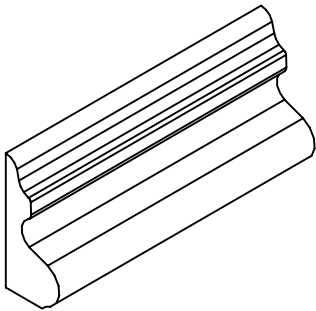
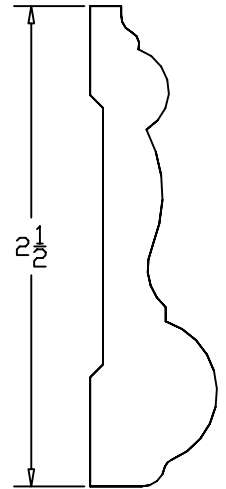
A 18



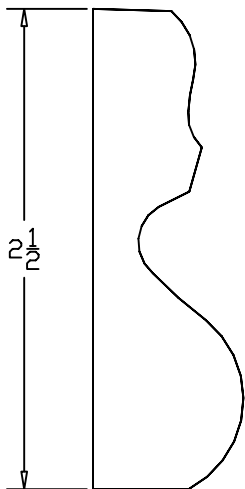
A 19



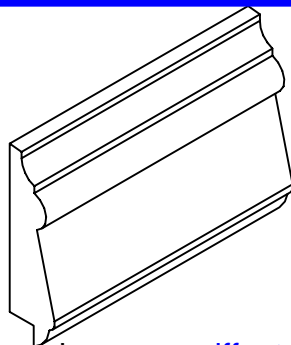
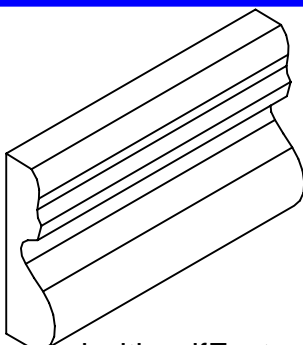
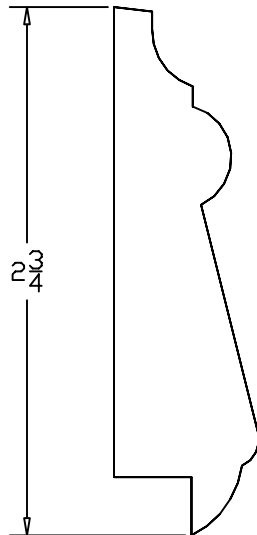
A 20



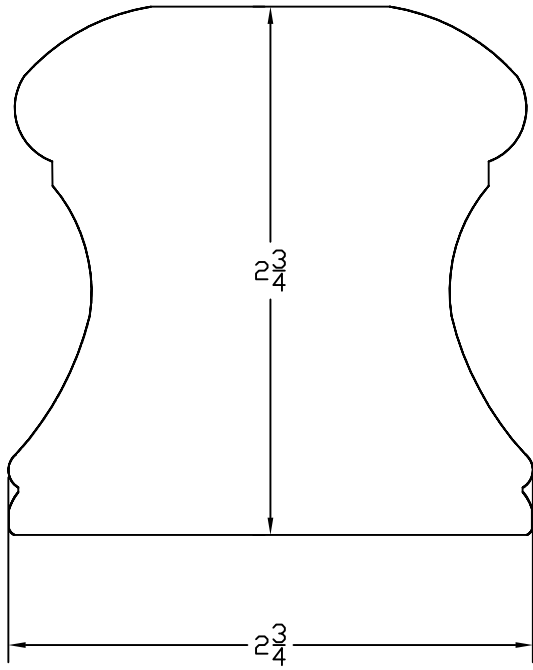
A 21



A 22



HR 1



HR 2

